

Crafted for efficiency,
designed for longevity.



Steel Puddle Flanges (SPF)

Crafted from top-tier stainless steel using advanced technology, YTMPipe's puddle flanges meet rigorous global standards. Designed for easy integration into construction frameworks such as walls, floors, and ceilings, these flanges support both pipe and cable penetrations, ensuring structural integrity and protection.



YTMPipe's Steel puddle flanges are precision-engineered to ensure the pressure-tight embedding of pipelines across a diverse range of materials including steel, plastic, stoneware, concrete, and cast iron. Our flanges are suitable for pipe diameters from DN 50 to DN 3000 with customization options.



Specification

Details

Materials	Stainless Steel (V2A/AISI 304, V4A/AISI 316Ti), Carbon Steel (ST37, ST42, ST52)
Standards Compliance	ISO 1083, EN 545, EN 1092-2
Flange Drilling	Different Flange Drillings are Available (ISO, EN, ANSI)
Lining and Coating	Hot Dipped Galvanized, Solvent Free Epoxy, Fusion Bonded Epoxy (FBE), POLYURETHANE, 3LPE
Internal Coatings	Liquid epoxy painting, Epoxy applied by FBE; Different coating applications are available
Pipe Diameter Compatibility	From 50mm to DN 3000, custom sizes available
Pressure Rating	PN6 to PN64 – CL150 to CL400

Applications:

- **Water Management:** Ideal for secure installations in water treatment and distribution systems.
- **Infrastructure Projects:** Provides critical support for buildings, bridges, and tunnels.
- **Industrial Facilities:** Essential in chemical, manufacturing, and processing plants.
- **Utility Systems:** Reliable for electrical and telecommunication network installations.

Benefits:

- **Enhanced Integrity:** Provides watertight seals that maintain system integrity.
- **Low Maintenance:** Reduces the need for frequent upkeep, cutting long-term costs.
- **Wide Application:** Ideal for water management, infrastructure, industrial facilities, and utilities.
- **Safety and Compliance:** Meets international safety and environmental standards.

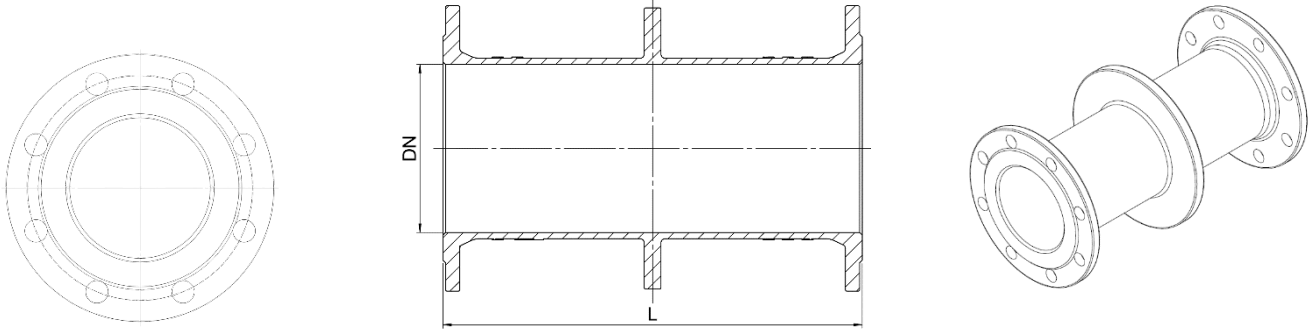
Features:

- **High Durability:** Crafted from premium steels, our flanges withstand harsh environmental conditions without degradation.
- **Superior Corrosion Resistance:** Stainless steel and protective coatings prevent corrosion, extending the life of infrastructure.
- **Flexible Installation:** Available in adjustable and fixed configurations, facilitating easy installation across various settings.
- **Seamless Integration:** Designed to fit seamlessly into existing systems, ensuring compatibility and ease of maintenance.

*Crafted for efficiency,
designed for longevity.*



Product Range



Sleeve Nominal Pipe Size [mm]	Inside Diameter [mm]	Length [mm]	Height of Collar [mm]	Sleeve Nominal Pipe Size [mm]	Inside Diameter [mm]	Length [mm]	Height of Collar [mm]
50,8	52,5	300	50	600	590,55	300	50
63,5	62,7	300	50	660,4	641,4	300	50
76,2	77,9	300	50	711,2	692,2	300	50
88,9	90,1	300	50	762	743,0	300	50
101,6	102,3	300	50	812,8	793,8	300	50
127	128,2	300	50	863,6	844,6	300	50
152,4	154,1	300	50	914,4	895,4	300	50
203,2	202,7	300	50	965,2	946,2	300	50
254	254,5	300	50	1016	997,0	300	50
304,8	304,8	300	50	1066,8	1047,8	300	50
355,6	336,6	300	50	1117,6	1098,6	300	50
406,4	387,4	300	50	1168,4	1149,4	300	50
457,2	438,2	300	50	1219,2	1200,2	300	50
508	489,0	300	50	1270	1251,0	300	50
558,8	539,8	300	50	1320,8	1301,8	300	50
609,6	590,6	300	50	1371,6	1352,6	300	50

Other Options:

Carbon Steel Puddle Flange:

Specification	Details
Material	ST37, ST52
Coating	Epoxy
Dimension	DN 50 to DN 3000

Note: Additional dimensions and custom configurations are available upon request to meet specific customer requirements.